

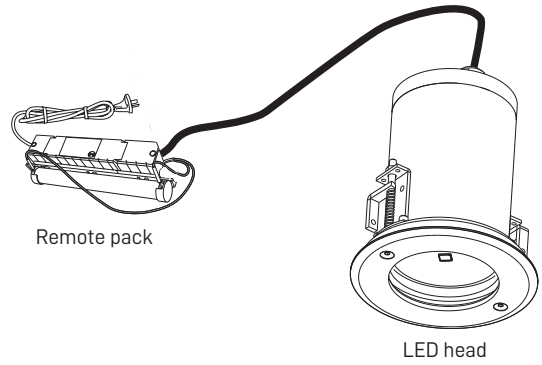
WEATHERPROOF RECESSED SATELLITE

659315GA, 659315SA



SPECIFICATION

All Models	
Supply Voltage	230-240 V a.c. 50 Hz
Ambient Temperature	- 40°C to 40°C for LED head 10°C to 40°C for Remote gear
IP Rating	IP65 (LED head) IP20 (Remote gear)



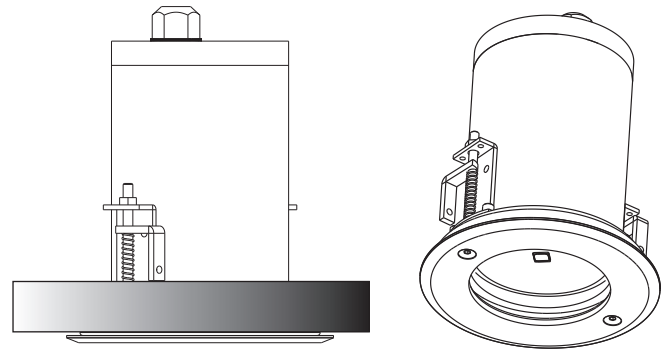
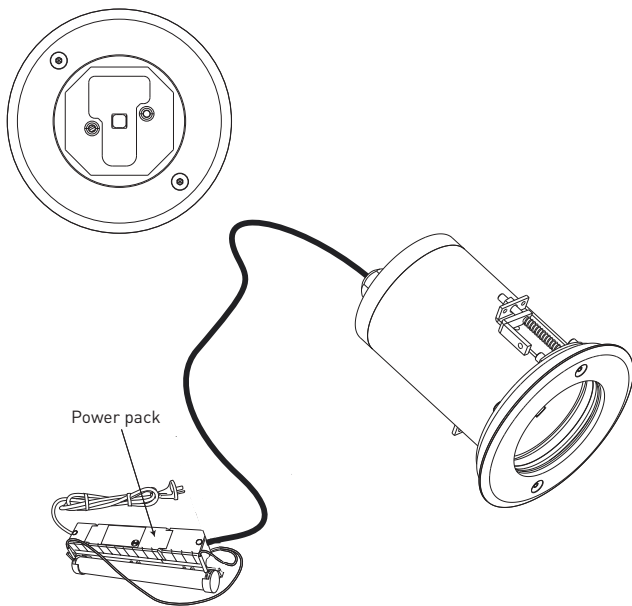
Remote pack

LED head

INSTALLATION

1. Make a cut-out of $\varnothing 102$ mm into the ceiling.
2. Pass the remote pack through the hole into the ceiling cavity. Mount it in a location that is not exposed to the weather within 3 metres of the LED head. Plug the remote pack into a power outlet in the appropriate circuit.
3. Insert the head into the cut-out.

4. Tighten the 2 screws on the underside of the head using the hex wrench provided. This causes the 2 L-shaped brackets to come down and clamp the head to the ceiling.



Note: For wireless models, make sure the antenna is in upright position.
For DALI models, connect the two DALI wires to the DALI terminals.

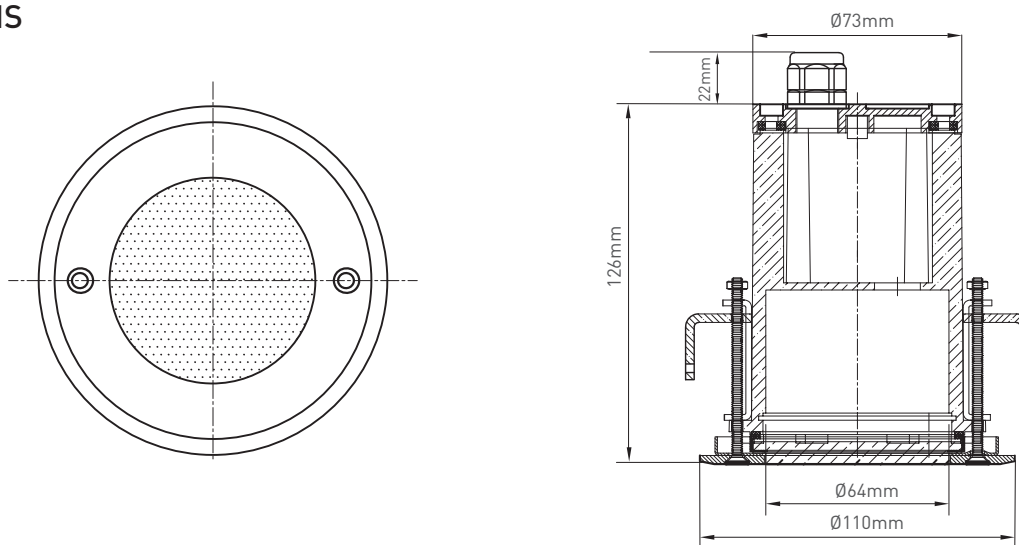
TESTING THE SATELLITE



Magnetic Test Switch

To test the product, the user should hold a magnet (not provided) close to the magnetic test switch while the mains power is switched ON. The main LED should switch ON when the magnet is close, and should switch OFF again when the magnet is removed.

DIMENSIONS



Status Indication

Battery Charging LED (all models except DALI)

LED ON	Battery is in good condition and is being charged when necessary.
LED OFF	Loss of mains power, OR battery disconnection, OR Unit is under test.
LED single flash every 2 sec	Battery is faulty and should be replaced.

Communications LED – Galaxy (Blue)

LED ON	New SPU to be commissioned.
LED flashing slowly (1 sec ON, 1 sec OFF)	SPU has been commissioned and is ready to join the network, OR SPU has become offline.
LED OFF	SPU is online and ready.
The LED also flashes momentarily whenever a communications message is received.	

Communications LED – Axiom (Yellow or Green)

LED continuous rapid flashing	Self-testing has found a fault within the unit (the battery charging LED also flashes rapidly).
LED flashing slowly (1 sec ON, 1 sec OFF)	Unit is yet to be commissioned.
LED OFF	Communications are good.
The LED also flashes momentarily whenever a communications message is received.	

DALI Range – Red and Green LEDs

Green ON	Mains mode – system OK	Red ON	Load failure (open circuit or short circuit)
Rapidly flashing Green	Function test underway	Rapidly flashing Red	Incorrect charging current
Slow flashing Green (1 sec ON, 1 sec OFF)	Duration test underway	Slow flashing Red (1 sec ON, 1 sec OFF)	Battery is defective, OR battery voltage is incorrect, OR battery failed the duration test or function test.
Double pulsing Green	Switching into inhibit mode via controller	Green and Red OFF	Battery operation (emergency mode)
During address identification mode, the Red and Green LEDs will pulse to indicate the address of the unit in binary format.			

WEATHERPROOF RECESSED SATELLITE

659315GA, 659315SA



iSmart™ Temperature Sensing

- Charging Lithium-Ion batteries at extremely high or low temperatures can result in a hazardous situation. Therefore, all Legrand Lithium-Ion emergency lighting products contain iSmart™ Temperature Sensing which temporarily turns off the battery charger when the ambient temperature is outside the battery specifications.
- When the battery charger is turned off due to iSmart Temperature Sensing, the battery charging LED will remain on to indicate that the product is still able to operate correctly.
- Charging will automatically resume when the ambient temperature returns to a level within the battery specifications.

Installation

- This product must be installed by a licensed electrician, and must be installed and used as per these instructions. After installation this product must be commissioned, tested and maintained as required by the appropriate government and/or statutory regulations.
- This product must be securely attached to a suitable structural member of the installation.
- In all Galaxy fittings, the antenna must be oriented in the vertical position wherever possible to ensure good RF communication.
- With the battery connected and the product connected to the unswitched mains supply, check that the charge LED is illuminated according to the tables above. If not illuminated, check that the supply is on and the battery leads are correctly connected.
- It is recommended that the battery be charged for a minimum of 16 hours before a full discharge test is performed. However, checking of the emergency lamp function may be performed after 1 hour by momentarily pressing the test switch on the product.
- Where a test switch is not visible, the product has a magnetic test switch that may be activated by holding a magnet near the label marked "Magnetic Test Switch".
- Interrupting the mains supply will discharge the battery. If the supply remains interrupted for a long period, permanent damage to the battery may result due to excessive discharge. Leaving the batteries discharged for more than 12 months will void the battery warranty. Do not subject the battery to a high number of charge/discharge cycles as can occur on a temporary supply (e.g. construction site).

Important Notes

- The rechargeable battery in this product MUST be replaced when the unit no longer meets rated operating life. If this product is to be stored for more than 3 months then the battery must be disconnected prior to storage. At the end of its life the battery should be recycled.
- Severe electromagnetic interference may cause malfunction of this product. Emergency lighting should be installed on dedicated circuits to ensure that interference from other luminaires does not affect its operation. Performance may also be affected if installed near RF transmitters such as mobile phone services, or installed in or around substantially metal enclosures or structures.
- Electrical installations periodically receive transient over-voltages. This product has been designed to minimise the effect of such voltages on connected equipment. It may not give full protection for extreme transient over-voltages such as those resulting from a close lighting strike.
- The IP rating of this product is only valid when all applicable seals, glands and their appropriate cables are installed correctly.
- This product is not suitable for installation in hazardous and/or corrosive areas, including areas subject to salt spray and/or mist.
- The material in this product may vary in colour from batch to batch. Colour matching from one batch to another cannot be guaranteed. Extended exposure to UV rays (such as exposure to direct sunlight) may cause discolouration of this product.
- This product should only be cleaned with a damp cloth. Cleaning agents and solvents should not be used.
- The light source of the emergency fitting is not replaceable; when the light source reaches its end of life the fitting must be replaced.
- This product has no user serviceable parts and no attempt should be made to repair this product. For repair or replacement please contact Legrand or our service agent.
- This product utilizes intellectual property in the form of registered designs, trademarks and/or patents. Such intellectual property remains the property of Legrand in all cases.
- Legrand reserves the right to modify the specifications of this product at any time.
- For full technical or photometric data please contact Legrand. Unless agreed in writing, Legrand is not responsible for compliance with appropriate EMC, thermal, and photometric requirements of luminaires from other manufacturers when using Legrand emergency power packs.

Warranty - Australia & New Zealand

Legrand guarantees this product for a period of 5 years (Lithium-ion battery models) or 1 year (Other battery models) from date of despatch, solely against failure arising from faulty materials or workmanship, and provided that the unit has been stored, shipped, installed, used and maintained in accordance with the manufacturer's instructions and relevant standards. Misuse, negligence or modification of the unit voids all warranties. Consult Legrand Conditions of Sale for details on warranty liability. If this product is faulty, return the unit freight pre-paid to your point of purchase, or contact Legrand.

Warranty - Singapore

Contact Legrand Singapore for warranty terms.

Customer Service

For all Customer Service and Technical Support enquires please call Monday to Friday during business hours.

Legrand New Zealand
0800 476 009
www.legrand.co.nz
ABN: 31 000 102 661

Legrand Australia
1300 369 777
www.legrand.com.au

Legrand (S) Pte Ltd
Phone: +(65) 6416 1550
www.legrand.com.sg

10/2023

LE14544A